



**Journal of  
Medical Genetics and  
Genomics**

**Volume 7 Number 1 March, 2015  
ISSN 2141-2278**



*Academic  
Journals*

## ABOUT JMGG

The **Journal of Medical Genetics and Genomics (JMGG)** is published monthly (one volume per year) by Academic Journals.

**Journal of Medical Genetics and Genomics (JMGG)** is an open access journal that provides rapid publication (monthly) of articles in all areas of the subject such as metagenetics, evolutionary anthropology, fragile X syndrome, immunotherapy etc.

The Journal welcomes the submission of manuscripts that meet the general criteria of significance and scientific excellence. Papers will be published shortly after acceptance. All articles published in JMGG are peer-reviewed.

## Submission of Manuscript

Submit manuscripts as e-mail attachment to the Editorial Office at: [jmgg@acadjournals.org](mailto:jmgg@acadjournals.org). A manuscript number will be mailed to the corresponding author shortly after submission.

The Journal of Medical Genetics and Genomics will only accept manuscripts submitted as e-mail attachments.

Please read the **Instructions for Authors** before submitting your manuscript. The manuscript files should be given the last name of the first author.

## Editors

**Prof. Viroj Wiwanitkit, M.D.**

*Wiwanitkit House, Bangkhae,  
Bangkok Thailand 10160.  
Visiting Prof. Tropical Medicine,  
Hainan Medical College,  
Hainan China.*

**Prof. Kenneth Blum**

*Institution Department of Psychiatry,  
University of Florida college of Medicine,  
Gainesville, Fl  
USA*

**Dr. Abd El-Latif Hesham**

*Genetics Department, Faculty of Agriculture,  
Assiut University  
Egypt*

**Prof. Viroj Wiwanitkit**

*Wiwanitkit house, bangkhae, Bangkok Thailand  
10160  
Thailand*

**Dr. Pritha Ghosh**

*Indian Institute of Chemical Biology  
India*

**Dr. Israel Fernandez-Cadenas**

*Neurovascular Research Laboratory,  
Institut de Recerca, Vall d'Hebron Hospital,  
Barcelona.  
Spain*

**Dr. Wanis H Ibrahim**

*Qualifications: FRCP (Edin), FRCP (Glasg), FCCP  
Hamad General Hospital, Weill-Cornell Medical  
College  
Qatar*

**Prof. Debnath Bhattacharyya**

*Hannam University,  
Daejeon,  
Korea*

**Dr. Khaled Abu-Amero**

*College of Medicine, King Saud University,  
Saudi Arabia*

**Dr. Faiyaz Ahmed**

*Department of Studies in Food Science and Nutrition  
University of Mysore,  
India*

## Editorial Board

**Prof. Rama Devi Mittal**

*Sanjay gandhi PGI Lucknow  
India  
Prof. Kai Li  
Suzhou University uzhou,  
Jiangsu,  
China*

**Dr. Aliza Amiel**

*Faculty of life Science Bar-Ilan Ramat-Gan,  
Israel*

**Dr Olufemi Oloyede**

*Department of Obstetrics and Gynaecology,  
Olabisi Onabanjo University Teaching Hospital  
Sagamu,  
Ogun State,  
Nigeria*

**Dr. Vishwanathan Huchtagowder**

*Washington University school of medicine  
USA*

**Dr. Abdelilah S. Gounni**

*Faculty of Medicine,  
University of Manitoba  
Canada*

**Prof. Ruixing Yin**

*Department of Cardiology, Institute of Cardiovascular  
Diseases,  
Guangxi Medical University  
22 Shuangyong Road,  
Nanning 530021,  
Guangxi,  
China*

**Dr. Guangming Han**

*Georgia State University  
USA*

**Dr. C. Emmanuel**

*Global Hospitals Group  
India*

**Dr. Alessio Squassina**

*Department of Neuroscience,  
University of Cagliari  
Italy*

**Dr. Jiexiong Feng**

*Department of Pediatric Surgery, Tongji Hospital,  
Huazhong University of Science and Technology  
China*

**Dr. Magdy Abd ElRehim Sayed Aly**

*Faculty of Science,  
Beni Suef University  
Egypt*

**Dr. Hamid Jafarzadeh**

*Mashhad Faculty of Dentistry and Dental Research Center  
Iran*

**Dr. Youse Rasmi**

*Department of Biochemistry,  
Faculty of Medicine,  
Urmia University of Medical Sciences,  
Urmia,  
Iran*

**Dr Keya Chaudhuri**

*Indian Institute of Chemical Biology  
India*

**Ivan Y. Torshin**

*Computational Center of The Russian Academy of Sciences  
Russia*

**Dr. Wagdy K. B. Khalil**

*National Research Centre (NRC)  
Egypt*

**Vishnu Priya**

*Saveetha University  
India*

**Dr. A.Chandrasekar**

*Anthropological Survey of India,  
Southern Regional Bogadi 2nd stage,  
Mysore-570 026  
India*

**Dr Raghavendra Babu YP**

*Kasturba Medical College, Mangalore  
India*

**Dr. Shayesteh Jahanfar**

*Royal College of Medicine, Perak;  
University of Kuala Lumpur  
Malaysia*

**Prof. Wei Wang**

*Capital Medical University, Beijing, China;  
Chinese Academy of Sciences, Beijing, China  
China*

# Instructions for Author

**Electronic submission** of manuscripts is strongly encouraged, provided that the text, tables, and figures are included in a single Microsoft Word file (preferably in Arial font).

The **cover letter** should include the corresponding author's full address and telephone/fax numbers and should be in an e-mail message sent to the Editor, with the file, whose name should begin with the first author's surname, as an attachment.

## Article Types

Three types of manuscripts may be submitted:

**Regular articles:** These should describe new and carefully confirmed findings, and experimental procedures should be given in sufficient detail for others to verify the work. The length of a full paper should be the minimum required to describe and interpret the work clearly.

**Short Communications:** A Short Communication is suitable for recording the results of complete small investigations or giving details of new models or hypotheses, innovative methods, techniques or apparatus. The style of main sections need not conform to that of full-length papers. Short communications are 2 to 4 printed pages (about 6 to 12 manuscript pages) in length.

**Reviews:** Submissions of reviews and perspectives covering topics of current interest are welcome and encouraged. Reviews should be concise and no longer than 4-6 printed pages (about 12 to 18 manuscript pages). Reviews are also peer-reviewed.

## Review Process

All manuscripts are reviewed by an editor and members of the Editorial Board or qualified outside reviewers. Authors cannot nominate reviewers. Only reviewers randomly selected from our database with specialization in the subject area will be contacted to evaluate the manuscripts. The process will be blind review.

Decisions will be made as rapidly as possible, and the journal strives to return reviewers' comments to authors as fast as possible. The editorial board will re-review manuscripts that are accepted pending revision. It is the goal of the JMGG to publish manuscripts within weeks after submission.

## Regular articles

All portions of the manuscript must be typed double-spaced and all pages numbered starting from the title page.

**The Title** should be a brief phrase describing the contents of the paper. The Title Page should include the authors' full names and affiliations, the name of the corresponding author along with phone, fax and E-mail information. Present addresses of authors should appear as a footnote.

**The Abstract** should be informative and completely self-explanatory, briefly present the topic, state the scope of the experiments, indicate significant data, and point out major findings and conclusions. The Abstract should be 100 to 200 words in length. Complete sentences, active verbs, and the third person should be used, and the abstract should be written in the past tense. Standard nomenclature should be used and abbreviations should be avoided. No literature should be cited.

Following the abstract, about 3 to 10 key words that will provide indexing references should be listed.

A list of non-standard **Abbreviations** should be added. In general, non-standard abbreviations should be used only when the full term is very long and used often. Each abbreviation should be spelled out and introduced in parentheses the first time it is used in the text. Only recommended SI units should be used. Authors should use the solidus presentation (mg/ml). Standard abbreviations (such as ATP and DNA) need not be defined.

**The Introduction** should provide a clear statement of the problem, the relevant literature on the subject, and the proposed approach or solution. It should be understandable to colleagues from a broad range of scientific disciplines.

**Materials and methods** should be complete enough to allow experiments to be reproduced. However, only truly new procedures should be described in detail; previously published procedures should be cited, and important modifications of published procedures should be mentioned briefly. Capitalize trade names and include the manufacturer's name and address. Subheadings should be used. Methods in general use need not be described in detail.



**Results** should be presented with clarity and precision.

The results should be written in the past tense when describing findings in the authors' experiments. Previously published findings should be written in the present tense. Results should be explained, but largely without referring to the literature. Discussion, speculation and detailed interpretation of data should not be included in the Results but should be put into the Discussion section.

**The Discussion** should interpret the findings in view of the results obtained in this and in past studies on this topic. State the conclusions in a few sentences at the end of the paper. The Results and Discussion sections can include subheadings, and when appropriate, both sections can be combined.

**The Acknowledgments** of people, grants, funds, etc should be brief.

**Tables** should be kept to a minimum and be designed to be as simple as possible. Tables are to be typed double-spaced throughout, including headings and footnotes. Each table should be on a separate page, numbered consecutively in Arabic numerals and supplied with a heading and a legend. Tables should be self-explanatory without reference to the text. The details of the methods used in the experiments should preferably be described in the legend instead of in the text. The same data should not be presented in both table and graph form or repeated in the text.

**Figure legends** should be typed in numerical order on a separate sheet. Graphics should be prepared using applications capable of generating high resolution GIF, TIFF, JPEG or Powerpoint before pasting in the Microsoft Word manuscript file. Tables should be prepared in Microsoft Word. Use Arabic numerals to designate figures and upper case letters for their parts (Figure 1). Begin each legend with a title and include sufficient description so that the figure is understandable without reading the text of the manuscript. Information given in legends should not be repeated in the text.

**References:** In the text, a reference identified by means of an author's name should be followed by the date of the reference in parentheses. When there are more than two authors, only the first author's name should be mentioned, followed by 'et al'. In the event that an author cited has had two or more works published during the same year, the reference, both in the text and in the reference list, should be identified by a lower case letter like 'a' and 'b' after the date to distinguish the works.

Examples:

Abayomi (2000), Agindotan et al. (2003), (Kelebeni, 1983), (Usman and Smith, 1992), (Chege, 1998;

1987a,b; Tijani, 1993,1995), (Kumasi et al., 2001)

References should be listed at the end of the paper in alphabetical order. Articles in preparation or articles submitted for publication, unpublished observations, personal communications, etc. should not be included in the reference list but should only be mentioned in the article text (e.g., A. Kingori, University of Nairobi, Kenya, personal communication). Journal names are abbreviated according to Chemical Abstracts. Authors are fully responsible for the accuracy of the references.

Examples:

Chikere CB, Omoni VT and Chikere BO (2008). Distribution of potential nosocomial pathogens in a hospital environment. *Afr. J. Biotechnol.* 7: 3535-3539.

Moran GJ, Amii RN, Abrahamian FM, Talan DA (2005). Methicillinresistant *Staphylococcus aureus* in community-acquired skin infections. *Emerg. Infect. Dis.* 11: 928-930.

Pitout JDD, Church DL, Gregson DB, Chow BL, McCracken M, Mulvey M, Laupland KB (2007). Molecular epidemiology of CTXM-producing *Escherichia coli* in the Calgary Health Region: emergence of CTX-M-15-producing isolates. *Antimicrob. Agents Chemother.* 51: 1281-1286.

Pelczar JR, Harley JP, Klein DA (1993). *Microbiology: Concepts and Applications.* McGraw-Hill Inc., New York, pp. 591-603.

### Short Communications

Short Communications are limited to a maximum of two figures and one table. They should present a complete study that is more limited in scope than is found in full-length papers. The items of manuscript preparation listed above apply to Short Communications with the following differences: (1) Abstracts are limited to 100 words; (2) instead of a separate Materials and Methods section, experimental procedures may be incorporated into Figure Legends and Table footnotes; (3) Results and Discussion should be combined into a single section.

Proofs and Reprints: Electronic proofs will be sent (e-mail attachment) to the corresponding author as a PDF file. Page proofs are considered to be the final version of the manuscript. With the exception of typographical or minor clerical errors, no changes will be made in the manuscript at the proof stage.

**Fees and Charges:** Authors are required to pay a \$550 handling fee. Publication of an article in the Journal of Medical Genetics and Genomics is not contingent upon the author's ability to pay the charges. Neither is acceptance to pay the handling fee a guarantee that the paper will be accepted for publication. Authors may still request (in advance) that the editorial office waive some of the handling fee under special circumstances.

**Copyright: © 2015, Academic Journals.**

All rights Reserved. In accessing this journal, you agree that you will access the contents for your own personal use but not for any commercial use. Any use and or copies of this Journal in whole or in part must include the customary bibliographic citation, including author attribution, date and article title.

Submission of a manuscript implies: that the work described has not been published before (except in the form of an abstract or as part of a published lecture, or thesis) that it is not under consideration for publication elsewhere; that if and when the manuscript is accepted for publication, the authors agree to automatic transfer of the copyright to the publisher.

#### **Disclaimer of Warranties**

In no event shall Academic Journals be liable for any special, incidental, indirect, or consequential damages of any kind arising out of or in connection with the use of the articles or other material derived from the JMGG, whether or not advised of the possibility of damage, and on any theory of liability.

This publication is provided "as is" without warranty of any kind, either expressed or implied, including, but not limited to, the implied warranties of merchantability, fitness for a particular purpose, or non-infringement. Descriptions of, or references to, products or publications does not imply endorsement of that product or publication. While every effort is made by Academic Journals to see that no inaccurate or misleading data, opinion or statements appear in this publication, they wish to make it clear that the data and opinions appearing in the articles and advertisements herein are the responsibility of the contributor or advertiser concerned. Academic Journals makes no warranty of any kind, either express or implied, regarding the quality, accuracy, availability, or validity of the data or information in this publication or of any other publication to which it may be linked.

ARTICLES

Research Article

**Evaluation of BNC2 as a new candidate gene for hypospadias**

1

Anna Skarin Nordenvall, Jia Cao, Ellen Markljung, Izabella Baranowska  
Körberg and Agneta Nordenskjöld

0  
.  
9  
2  
2

0  
.  
8  
5  
2

0  
.  
6  
2  
8



## Full Length Research Paper

## Evaluation of *BNC2* as a new candidate gene for hypospadias

Anna Skarin Nordenvall<sup>1,2</sup>, Jia Cao<sup>1</sup>, Ellen Markljung<sup>1</sup>, Izabella Baranowska Körberg<sup>1</sup>  
and Agneta Nordenskjöld<sup>1,2\*</sup>

<sup>1</sup>Department of Women's and Children's Health, Center for Molecular Medicine, Karolinska Institutet, SE-171 76 Stockholm, Sweden.

<sup>2</sup>Department of Pediatric Surgery, Astrid Lindgren Children's Hospital, Karolinska University Hospital, SE-171 76 Stockholm, Sweden.

Received 12 February, 2015; Accepted 26 March, 2015

In order to evaluate the use of the *BNC2* gene in clinical practice regarding hypospadias, the presence of the impact of mutations in *BNC2* gene in males who had been treated surgically for hypospadias in Sweden (N=413) and controls (N=455) were evaluated. Mutational screening was performed using Sanger sequencing and genotyping by Taqman allelic discrimination, and the findings were evaluated by disease-causing potential using Mutation Taster and PolyPhen. Nine missense mutations were identified, six of which were more common among cases than among controls, one being previously unknown. Six of these genetic variants were predicted to be possibly or probably damaging in mutational predictions and are thus potentially disease-causing. No difference was confirmed in the contribution of these findings in different severity of phenotype. Due to the complexity of the gene structure, the impact of variants was difficult to evaluate, and thus the clinical use of *BNC2* in the management of 46,XY disorder of sex development (DSD) remains limited.

**Key words:** *BNC2* gene, hypospadias, mutations, polymorphism.

### INTRODUCTION

Hypospadias is one of the most frequent congenital malformations in boys. The malformation results from an arrest of the normal development of the urethra, foreskin and ventral aspect of the penis during gestational week 8 to 16. It is characterized by misplacement of the urethral opening, ventrally and proximally from the tip of the glans penis. The site of failure of urethral fold will dictate the position of the abnormal urethral meatus, and thus the severity of hypospadias. Majority of the cases of hypospa-

dias are mild, with the meatus positioned at corona or on the glans penis (Bergman et al., 2015). More severe cases were associated with penile curvature as well as penoscrotal transposition and intersex conditions (Baskin and Ebberts, 2006).

Hypospadias is a multifactorial disorder caused by both genetic and environmental factors. Accordingly, hypospadias sometimes displays a monogenic inheritance pattern. Majority of the cases are sporadic, but in approximately 7%

\*Corresponding author. E-mail: [agneta.nordenskjold@ki.se](mailto:agneta.nordenskjold@ki.se). Tel: +46 8 517 764 08.

Author(s) agree that this article remain permanently open access under the terms of the [Creative Commons Attribution License 4.0 International License](https://creativecommons.org/licenses/by/4.0/)

of them, familial clustering, has been described, which supports the theory of an underlying genetic effect (Fredell et al., 2002a). Consequently, most hypospadias are sporadic and without a known molecular cause in individual cases. The malformation exhibits an under-masculinization in male fetuses, but mutations in genes involved in the androgen pathway, such as steroid-5-alpha-reductase (*SRD5A2*) and androgen receptor (*AR*), are rare and reported in only a small portion of affected individuals (Hiort et al., 1994; Kon et al., 2015). Other genes that have been associated with hypospadias are *MAMLD1*, which when knocked down in mice reduces testosterone production and exhibits mutations in a few percent of hypospadias patients (Kalfa et al., 2008), *HOXA13*, which may cause hand-foot-genital syndrome (Frisen et al., 2003), *MID1*, in which mutations have been associated with the Opitz syndrome, which is characterized by midline defects and *WT1* gene, in which mutations may lead to 46,XY disorder of sex development (DSD), nephropathy causing renal insufficiency, and Wilms' tumor (Kalfa et al., 2010; Kaltenis et al., 2004; van der Zanden et al., 2012).

A highly conserved gene that has attracted attention lately is the basonuclein 2 (*BNC2*; 9p22.1). It has been established that the protein characteristics of *BNC2* are similar to those of its namesake, *BNC1* (Vanhoutteghem and Djian, 2004), a zinc finger protein highly expressed in skin keratinocytes, which is associated with cell proliferation (Tseng, 1998). The function of *BNC2* is, however, unknown, although it is believed to participate in mRNA processing (Vanhoutteghem and Djian, 2006).

Bhoj et al. (2011) have described the potential role of *BNC2* in urethral development. They found high expression of *BNC2* in fetal periurethral tissues and *BNC2* knockout mice with a high prevalence of distal urethral defects. Furthermore, they performed mutational screening of the major coding exons in 48 males with hypospadias and in controls, and four potentially deleterious variants were identified in three subjects with hypospadias; whereas only one was found in the control group (Bhoj et al., 2011). This study prompted the DSD team to incorporate the *BNC2* gene in mutational screening of 46,XY DSD in our hospital. Kon et al. (2015) recently found one heterozygous missense mutation in *BNC2* when they analyzed the molecular basis of hypospadias among 57 patients.

In order to further evaluate the use of the *BNC2* gene in clinical practice, presence of mutations was screened in it, in a large collection of DNA samples from males with hypospadias and predicted the potential disease-causing effects of candidate polymorphisms.

## MATERIALS AND METHODS

### Clinical material

Four hundred and thirteen (413) males who had been surgically treated for hypospadias in Sweden were included in the study. The Ethics Committee of Karolinska Institutet approved the study first in

1995. All samples were obtained after oral or written information were given to the parents that gave oral consent. These samples have been collected continuously since 1996. Initially and until 2008, the consent was only oral. The original approval of the study covered all the years that the study took place, but since 2008, when an extended application on additional congenital malformations was requested, the consent have also, according to new rules from the National Ethics Committee been documented in the patient's medical chart. According to the rules from the National Ethics Committee, there is no demand for an explicitly written consent and the Ethics Committee of Karolinska Institutet have specifically approved oral consent from parents.

Both sporadic cases and familial (one per family) ones were included with varying phenotypic severity ranging from mild glandular hypospadias to perineal hypospadias with an intersex condition. Initially, 236 cases of the ranging phenotype were sequenced for mutational analyses. Phenotypes were grouped according to severity as glandular (N=35), penile (N=55), or penoscrotal/perineal (N=77) and, in 22 cases, the severity of hypospadias was unknown. An additional 47 males with familial hypospadias, with mainly a glandular phenotype, were included. Further analyses using Taqman were performed regarding two variants, which led to the inclusion of 177 additional cases.

Control samples of DNA from healthy volunteer anonymous blood donors and placenta tissue from the Karolinska University Hospital were analyzed using both standard sequencing and Taqman. The number of controls ranged from 76 to 455, depending on whether sequence variants that were identified in cases were controlled for by Sanger sequencing or Taqman. The Ethics Committee of Karolinska Institutet approved the study.

### DNA extraction

Genomic DNA from the clinical sample was extracted from peripheral blood or penile tissue obtained during surgery using the standard phenol chloroform extraction protocol or the Genra Purogenekit (Qiagen, Maryland, USA).

### Mutational analysis

Exons 1 to 6 of *BNC2* were PCR-amplified and primers were designed to cover the entire coding sequence, including flanking intronic sequences (primer-3; <http://primer3.wi.mit.edu>) (Vanhoutteghem and Djian, 2007; Bhoj et al., 2011). PCR products were purified using Shrimp Alkaline Phosphatase and Exonuclease I (Fermentas Life Sciences). Sanger sequencing was performed on both strands, using standard cycle-sequencing reactions with the BigDye terminator v3.1 cycle sequencing kit (BigDye® Terminator v3.1 Cycle Sequencing Kit, Applied Biosystems), and run on an ABI3130 Sequencer (Applied Biosystems). Chromatograms were analyzed using SeqScape v3.7 (Applied Biosystems) and compared with reference sequence ENST00000380672. All positive findings were confirmed by resequencing from the original DNA solution.

### Genotyping

Genetic variations that were identified in the materials used and previously of unknown frequency in a healthy population were further analyzed using TaqMan allelic discrimination assays according to recommended protocols. The results were analyzed using the 7900 HT Fast-Real-Time PCR system (Applied Biosystems) and SDS 2.2 (Applied Biosystems). Only successful samples are reported (≥92% success rate in patients).

Four SNPs (rs62540608, TMP\_ESP\_9\_16435990, rs3739715,

rs189895388) and three gene variants without rs number (c.1002, c.1239, and c.1738) were further evaluated in the cases and controls. No parents of the patients were genotyped.

### Mutation prediction

The functional significance of all amino acid substitutions found in the *BNC2* gene was assessed *in silico* using Mutation Taster (<http://www.mutationtaster.org>) and Polyphen (<http://genetics.bwh.harvard.edu/pph2/>). The compiled results were classified according to the following categories: (1) Benign, if the missense mutation was predicted to be benign both by PolyPhen (score < 0.2) and Mutation taster; (2) Possibly damaging, if the missense mutation was predicted to be disease-causing by either Mutation Taster or PolyPhen (score >0.75); (3) Probably damaging, both PolyPhen (score >0.75) and Mutation Taster predicted the variant to be disease-causing. The conservation and 7X regulatory potential (UCSC genome browser, human NCBI/hg18 and GRCh37/hg19) were also assessed.

## RESULTS

By sequencing, 20 genetic variants were identified in the *BNC2* gene in 115 out of 236 cases with hypospadias (Table 1 and Figure 1). Seventeen polymorphisms were previously known, thus three were novel, one of which was a missense mutation. Allelic variants were found most frequently in exon 5. Findings of this study are grouped as the results of the mutational prediction *in silico* subsequently.

### Probably damaging

We identified three missense mutations that were predicted to be probably damaging in mutational simulations: (c.2051C>T, p.P684L), (c.2768C>T, p.A923V), and (c.2789A>G, p.D930G) in 15 boys with hypospadias (Table 2). All three variants have been described previously and allelic frequencies in the general population were available. The frequency of p.P684L (0,4) was higher in cases than in the general population and was not detected in any of the healthy controls. The frequencies of p.A923V and p.D930G were lower or comparable in cases compared with the controls and the general population, suggesting that these variants do not cause hypospadias. However, p.D930G was only found in one case that was homozygous, whereas only heterozygotes were found in the controls or in the previously described populations (Table 1). Bhoj et al. (2011) have previously described p.A923V as "tolerated" using SIFT analysis. In our analyses it was predicted to be tolerated using SIFT, but to be damaging using both PolyPhen-2 and Mutation Taster. Based on these results and the high conservation of this region, we cannot rule out the fact that the variant might be damaging; however, since it is more common among controls than among cases, we do not consider it to have a causative effect in hypospadias.

### Possibly damaging

Three missense mutations were predicted to be possibly damaging: (c.916C>G, p.P306A), (c.1738G>A, p.G580R), and (c.1868C>A, p.P623H). In one boy with Robinow syndrome, a change was identified in p.P306A; this boy was also a carrier of p.A923V, which was predicted to be damaging. The missense mutation in p.G580R was identified in one boy with several other malformations, including anal atresia, cardiac malformations, and polydactyly. The change in p.G580R has not been described previously and did not affect any of the controls in our analyses; p.P623H was identified in two boys, one of whom also had an associated cri-du-chat syndrome.

Both p.P306A and p.P623H have been described previously and occurred less frequently or just as frequently in cases as in controls or the general population. Both of these variants were predicted to be damaging according to the SIFT analysis, as reported by Bhoj et al. (2011). However, our results indicate that they are only possibly damaging when further simulation analyses are taken into account.

### Benign

Majority of our findings were predicted benign, 11 being synonymous mutations (c.84A>T, p.A28A), (c.501C>T, p.V167V), (c.519C>T, p.S173S), (c.936C>T, p.F312F), (c.1002A>G, p.P334P), (c.1239T>C, p.D413D), (c.1545A>G, p.S515S), (c.1947C>T, p.T649T), (c.2202C>T, p.G734G), (c.2478A>G, p.L826L), and (c.2739C>T, p.R913R), and three were non-synonymous (c.171G>T, p.Q57H), (c.1240C>G, p.L414V), and (c.2929A>G, p.I974V).

The changes in p.P334P and p.D413D were previously unknown, each affecting one individual, and none of these changes were present in controls.

In total, there was an even distribution of findings among penoscrotal/perineal (64%), penile (64%) and glandular (69%) hypospadias. Mutational findings were less frequent among familial cases (43%). The frequency of findings defined as probably damaging was slightly higher in penile (9%) and penoscrotal/perineal (9%) cases than in individuals with glandular (6%) hypospadias.

We tested for statistical difference between the phenotypes using the Fischer exact test; there was no significant difference. The findings in the familial cases were all predicted to be benign.

## DISCUSSION

In this study, mutational screening of the *BNC2* gene in 413 males with hypospadias was performed to evaluate the potential clinical use of *BNC2* in molecular diagnostics of hypospadias. By sequencing *BNC2* in 236 affected males, nine missense mutations were found with six of

**Table 1.** Data on all mutational findings, including calculated allelic frequencies among cases and controls. Disease-causing potential prediction based on PolyPhen and Mutation Taster.

Protein	RSnumber	Case	Control	Population rate <sup>†</sup>	Disease-causing potential
		N (%)	N (%)	All/Eur	Predicted effect
p.A28A	rs76485966	4/236 (1.7) <sup>a</sup>	0/80 (0)	4.5/0.3	Benign
p.Q57H	rs145011045	1/236 (0.2)	0/83 (0)	0.0/0.1	Benign
p.V167V	rs143821778	1/236 (0.2)	0/95 (0)	0.0/0.1	Benign
p.S173S	s149019822	1/236 (0.2)	0/95 (0)	0.0/0.1	Benign
p.P306A	rs114964332*	1/236 (0.2)	0/117 (0)	0.2/0.0	Possibly damaging
p.F312F	rs77464990	1/236 (0.2)	0/117 (0)	1.1/0.0	Benign
p.P334P	n.a.	1/236 (0.2)	0/361 (0)	n.a	Benign
p.D413D	n.a.	1/236 (0.2)	0/455 (0)	n.a	Benign
p.L414V	rs148873573*	7/236 (1.5)	3/94 (1.6)	0.2/0.4	Benign
p.S515S	rs117470554	17/236 (3.8) <sup>b</sup>	9/94 (4.8)	2.6/5.1	Benign
p.G580R	n.a.	1/236 (0.2)	0/443 (0)	n.a	Possibly damaging
p.P623H	rs114596065*	2/236 (0.4)	1/82 (0.6)	0.4/0.0	Possibly damaging
p.T649T	rs62540608	7/384 (0.9)	8/444 (0.09)	0.2/0.7	Benign
p.P684L	rs138187836	2/236 (0.4)	0/76 (0)	0.1/0.0	Probably damaging
p.G734G	TMP_ESP_9_16435990	1/236 (0.2)	0/361 (0)	0.0/0.0	Benign
p.L826L	rs3739715	65/406 (8.4) <sup>c</sup>	48/356 (6.9) <sup>d</sup>	6.8/6.7	Benign
p.R913R	rs189895388	1/236 (0.2)	0/361 (0)	0.0/0.0	Benign
p.A923V	rs117452684*	12/236 (2.5)	14/159 (4.4)	1.2/3.0	Probably damaging
p.D930G	rs41268965	1/236 (0.4) <sup>a</sup>	0/159 (0)	0.2/0.7	Probably damaging
p.I974V	rs35005898	6/236 (1.3)	2/159 (0.6)	0.3/0.7	Benign

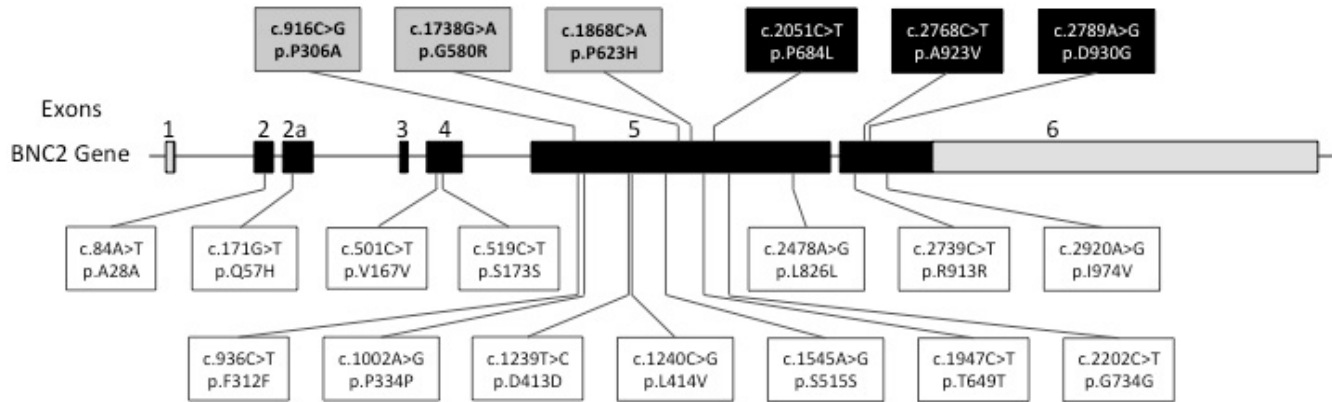
\*Previously described by Bhoj et al. (). <sup>a</sup>All cases homozygous. <sup>b</sup>One case homozygous. <sup>c</sup>Three cases homozygous. <sup>d</sup>One control homozygous.

**Table 2.** Detailed information on phenotype of the cases with variants predicted damaging in mutational simulation.

Subject			Detected non-synonymous variant		Disease-causing potential
ID	Phenotype	Other birth defects	cDNA	Protein	Predicted effect
H1	Distal penile	-	c.2051 C>T	p.P684L	Probably damaging
H2	Distal penile	-	c.2051 C>T	p.P684L	Probably damaging
H3	Glandular	-	c.2768 C>T	p.A923V	Probably damaging
H4	Unknown	-	c.2768 C>T	p.A923V	Probably damaging
H5	Perineal	Robinow syndrome	c.2768 C>T	p.A923V	Probably damaging
H6	Distal penile	-	c.2768 C>T	p.A923V	Probably damaging
H7	Penoscrotal	-	c.2768 C>T	p.A923V	Probably damaging
H8	Penoscrotal	-	c.2768 C>T	p.A923V	Probably damaging
H9	Glandular	-	c.2768 C>T	p.A923V	Probably damaging
H10	Penoscrotal	-	c.2768 C>T	p.A923V	Probably damaging
H11	Distal penile	-	c.2768 C>T	p.A923V	Probably damaging
H12	Penoscrotal	-	c.2768 C>T	p.A923V	Probably damaging
H13	Penoscrotal	-	c.2768 C>T	p.A923V	Probably damaging
H14	Perineal	Short stature	c.2768 C>T	p.A923V	Probably damaging
H15	Distal penile	-	c.2789 A>G	p.A923V	Probably damaging

which occurred more frequently in cases than in the controls, and one was previously unknown. Six of the genetic variants were predicted to be possibly or probably damaging and potentially disease-causing; however, some

of these findings occurred just as frequently or even less frequently in cases than in controls, implying that the variants are not causative regarding hypospadias. Four of these missense mutations have been described previously



**Figure 1.** The black filled boxes represent the coding regions, and the light gray filled boxes denote the untranslated regions. The positions of the variants found in the *BNC2* are shown. Numbers indicate the number of exons in *BNC2*. Conclusion indicating disease-causing potential: filled with white background, benign; filled with gray, possibly damaging; filled with black, probably damaging.

previously in patients with hypospadias (Bhoj et al., 2011). No difference was confirmed in the distribution of mutational findings between different phenotypes.

Disturbances in developmental pathways, such as midline fusion and skin development, could, apart from defects in androgen signaling, cause hypospadias. Malformations involving the midline, such as cleft-lip-palate and congenital heart malformations, are known to be more frequently associated with hypospadias (Fredell et al., 2002b; Wu et al., 2002). *BNC2* is mainly expressed in renal, intestinal, uterine, and testicular tissue (Vanhoutteghem and Djian, 2006), but also in keratinocytes (Romano et al., 2004) and periurethral tissue during development (Bhoj et al., 2011). It has been confirmed that *BNC2* is important for the proliferation of craniofacial mesenchymal cells during embryogenesis in mice and it has been suggested that human craniofacial abnormalities may result from a lack of *BNC2* (Vanhoutteghem et al., 2009). Previous studies have demonstrated the importance of *BNC2* in urethral development, since knockout mice develop typical hypospadiac features (Bhoj et al., 2011), potentially due to defects in skin development and midline fusion.

The *BNC2* gene spans 461 kb on chromosome 9 (9p22.1) and possesses 6 promoters (1 major and 5 minor), 4 polyadenylation sites, and a total of 23 exons (1, 1d, 1b, 1c, 2, 2f, 2b, 2a, 2g, 2b, 2a, 2g, 2b, 2l, 2c, 2e, 3, 3a, 4, 4a, 5, 5c, 5d, 5a, 5b, 6). Each promoter, splice site, and polyadenylation addition site has been suggested to be used independently, with the potential to generate up to approximately 90,000 variants encoding >2000 different proteins (Vanhoutteghem and Djian, 2007). Thus, none of the 23 exons is present in all *BNC2* mRNA isoforms, all exons can therefore be considered as alternative. The most abundant *BNC2* mRNA variants are stable and translated into proteins as demonstrated by PCR and transient transfection in HeLa cells (Vanhoutteghem and Djian, 2007).

With regard to the unknown function and large number of potential transcripts of *BNC2*, the significance of occasional mutational findings and their role in the pathogenesis of hypospadias are difficult to evaluate. Among the three variants predicted probably damaging in this study only one was more common among cases compared to controls (p.P684L); it was present in two cases with penile hypospadias and none of the controls. Thus, it is believed that the use of *BNC2* in current clinical practice regarding hypospadias is limited.

To further evaluate the potential pathogenic effect of sporadic variants in *BNC2*, it would first of all be desirable to determine which isoforms of *BNC2* are expressed in penile tissue during development. Secondly, functional studies on *BNC2* would be useful to assess the effect of our findings regarding the pathogenesis of hypospadias.

## Conclusion

In this study, *BNC2* have been screened for mutations in order to investigate its potential clinical use in the diagnostics of XY, DSD. Several potential disease-causing SNPs that are more abundant in males with hypospadias than in controls have been identified, but we have not identified any certain phenotype-causing mutations. Due to the complexity of the gene structure and our occasional findings, the clinical use of *BNC2* was assessed in the management of 46,XY DSD as being limited.

## ACKNOWLEDGEMENTS

The Swedish Research Council, the Foundation Frimurare Barnhuset Stockholm, the Stockholm City Council, the Swedish Society for Medical Research and Karolinska Institutet supported this work.

**Conflict of interests**

The authors have no conflicts of interest to declare.

**REFERENCES**

- Baskin LS, Ebbers MB (2006). Hypospadias: anatomy, etiology, and technique. *J. Pediatr. Surg.* 41(3):463-472.
- Bergman JE, Loane M, Vrijheid M, Pierini A, Nijman RJ, Addor MC, Barisic I, Béres J, Braz P, Budd J, Delaney V, Gatt M, Khoshnood B, Klungsøyr K, Martos C, Mullaney C, Nelen V, Neville AJ, O'Mahony M, Queisser-Luft A, Randrianaivo H, Rissmann A, Rounding C, Tucker D, Wellesley D, Zymak-Zakutnia N, Bakker MK, de Walle HE (2015). Epidemiology of hypospadias in Europe: a registry-based study. *World J. Urol.* Epub ahead of print.
- Bhoj EJ, Ramos P, Baker LA, Garg V, Cost N, Nordenskjöld A, Elder FF, Bleyl SB, Bowles NE, Arrington CB, Delhomme B, Vanhoutteghem A, Djian P, Zinn AR (2011). Human balanced translocation and mouse gene inactivation implicate Basonuclin 2 in distal urethral development. *Eur. J. Hum. Genet.* 19(5):540-546.
- Fredell L, Kockum I, Hansson E, Holmner S, Lundquist L, Läckgren G, Pedersen J, Stenberg A, Westbacke G, Nordenskjöld A (2002a). Heredity of hypospadias and the significance of low birth weight. *J. Urol.* 167(3):1423-1427.
- Fredell L, Iselius L, Collins A, Hansson E, Holmner S, Lundquist L, Läckgren G, Pedersen J, Stenberg A, Westbacke G, Nordenskjöld A (2002b). Complex segregation analysis of hypospadias. *Hum. Genet.* 111(3):231-234.
- Frisen L, Lagerstedt K, Tapper-Persson M, Kockum I, Nordenskjöld A (2003). A novel duplication in the HOXA13 gene in a family with atypical hand-foot-genital syndrome. *J. Med. Genet.* 40(4):e49.
- Hiort O, Klauber G, Cendron M, Sinnecker GH, Keim L, Schwinger E, Wolfe HJ, Yandell DW (1994). Molecular characterization of the androgen receptor gene in boys with hypospadias. *Eur. J. Pediatr.* 153(5):317-321.
- Kalfa N, Liu B, Klein O, Audran F, Wang MH, Mei C, Sultan C, Baskin LS (2008). Mutations of CXorf6 are associated with a range of severities of hypospadias. *Eur. J. Endocrinol.* 159(4):453-458.
- Kalfa N, Sultan C, Baskin LS (2010). Hypospadias: etiology and current research. *Urol. Clin. North Am.* 37(2):159-166.
- Kaltenis P, Schumacher V, Jankauskiene A, Laurinavicius A, Royer-Pokora B (2004). Slow progressive FSGS associated with an F392L WT1 mutation. *Pediatr. Nephrol.* 19(3):353-356.
- Kon M, Suzuki E, Dung VC, Hasegawa Y, Mitsui T, Muroya K, Ueoka K, Igarashi N, Nagasaki K, Oto Y, Hamajima T, Yoshino K, Igarashi M, Kato-Fukui Y, Nakabayashi K, Hayashi K, Hata K, Matsubara Y, Moriya K, Ogata T, Nonomura K, Fukami M (2015). Molecular basis of non-syndromic hypospadias: systematic mutation screening and genome-wide copy number analysis of 62 patients. *Hum. Reprod.* 30(3):499-506.
- Romano RA, Li H, Tummala R, Maul R, Sinha S (2004). Identification of basonuclin2, a DNA-binding zinc-finger protein expressed in germ tissues and skin keratinocytes. *Genomics* 83(5):821-833.
- Tseng H (1998). Basonuclin, a zinc finger protein associated with epithelial expansion and proliferation. *Front Biosci.* 3:D985-D988.
- van der Zanden LF, van Rooij IA, Feitz WF, Franke B, Knoers NV, Roeleveld N (2012). Aetiology of hypospadias: a systematic review of genes and environment. *Hum. Reprod. Update* 18(3):260-283.
- Vanhoutteghem A, Djian P (2004). Basonuclin 2: an extremely conserved homolog of the zinc finger protein basonuclin. *Proc. Natl. Acad. Sci. U. S. A.* 101(10):3468-3473.
- Vanhoutteghem A, Djian P (2006). Basonuclins 1 and 2, whose genes share a common origin, are proteins with widely different properties and functions. *Proc. Natl. Acad. Sci. U. S. A.* 103(33):12423-12428.
- Vanhoutteghem A, Djian P (2007). The human basonuclin 2 gene has the potential to generate nearly 90,000 mRNA isoforms encoding over 2000 different proteins. *Genomics* 89(1):44-58.
- Vanhoutteghem A, Maciejewski-Duval A, Bouche C, Delhomme B, Hervé F, Daubigney F, Soubigou G, Araki M, Araki K, Yamamura K, Djian P (2009). *Proc. Natl. Acad. Sci. U. S. A.* 106(34):14432-14437.
- Wu WH, Chuang JH, Ting YC, Lee SY, Hsieh CS (2002). Developmental anomalies and disabilities associated with hypospadias. *J. Urol.* 168(1):229-232.



The background of the entire page is a microscopic view of cells, likely from a tissue sample, showing various cell structures and nuclei. Overlaid on this are numerous blue, semi-transparent spheres of varying sizes, some of which are clustered together, suggesting a molecular or cellular model. The overall color palette is dominated by reds and oranges from the cells, and blues from the spheres.

# Journal of Medical Genetics and Genomics

## *Related Journals Published by Academic Journals*

- *Journal of Medical Laboratory and Diagnosis*
- *Journal of Metabolomics and Systems Biology*
- *Journal of Neuroscience and Behavioral Health*
- *Journal of Physiology and Pathophysiology*
- *Journal of Public Health and Epidemiology*
- *Journal of Petroleum Technology and Alternative Fuels*

**academicJournals**